

Replacing Your Unifi™ 45 Projector Lamp



Applies to: SMART Board™ 600i2 interactive whiteboard systems and Unifi™ 45 (UF45) projector retrofit kits for SMART Board 560, 580, 660 and 680 interactive whiteboards

Overview

This document contains instructions for removing your Unifi 45 projector from its boom, removing the old lamp, installing a new lamp, replacing the projector on its boom, and resetting the lamp timer. If a lamp fails or if a replacement message appears on the screen of the Unifi 45 projector, a qualified person can replace the projector lamp. Do not access the service panel without a replacement lamp and instructions in hand.

WARNING

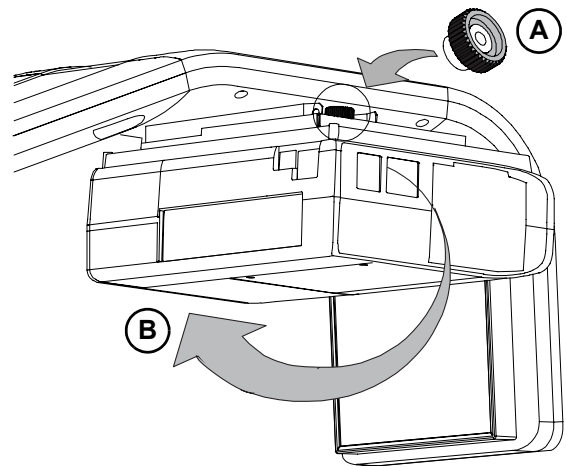


- If the projector is mounted on the boom, the manufacturer recommends contacting your [authorized SMART reseller](#) when the lamp must be exchanged.
- Only qualified personnel should replace the projector lamp. Replacing the lamp in a boom-mounted projector might result in a fall and injury.
- If you continue to use the projector after the replacement message appears, the lamp might shatter or burst, scattering glass throughout the projector head.
- If the lamp has shattered or burst, do not touch the glass fragments because they might cause injury. Leave and then ventilate the area where the lamp shattered or burst. Wash your hands thoroughly if you have come into contact with lamp debris. Thoroughly clean the area around the projector, and discard any edible items placed in that area because they might be contaminated.
- If the lamp has shattered or burst, call a [SMART authorized service representative](#) for instructions. Do not attempt to replace the lamp.
- Remove the projector from the boom before servicing the lamp.
- Complete the procedure described in this document instead of the instructions included in your replacement lamp box.
- Uncovering the lamp while the projector is mounted on a boom might lead to product damage or personal injury from falling pieces of glass if the lamp is broken.
- Turn off the projector and wait 15 minutes for the lamp to cool completely before removing the old lamp assembly.
- Wear protective eyewear while changing the lamp. Failure to do so can cause injury or loss of eyesight if the lamp shatters or bursts.
- The lamp used in the Unifi 45 projector contains mercury. Recycle or dispose of it as hazardous waste, in accordance with local regulations.
- To prevent premature lamp failure or exposure to mercury, always handle the fragile lamp assembly with care. Use gloves when touching the lamp. Do not touch the lamp with your fingers.
- Use only the SB20 replacement lamp (SMART Part No. 01-00247).
- Never replace the lamp assembly with a previously used lamp assembly.

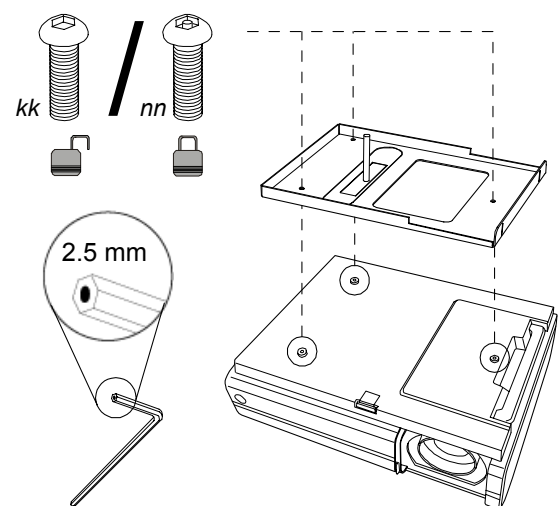
Details

To remove the projector plate assembly from the boom

1. Put the system in Standby mode by pressing the power button twice on the extended control panel (ECP) or remote. Wait for the system to enter Standby mode. The power button light on the ECP turns solid amber when the system is in Standby.
2. Turn off the projector's master power switch to shut down the system.
3. Disconnect the power cord and all connected cables.
4. Wait at least 15 minutes for the projector's housing to completely cool.
5. Close the projector lens door to prevent scratching or touching of the lens.
6. While firmly holding the projector with your hand, and without putting pressure or weight on the projector boom, unscrew the thumbscrew that connects the projector plate assembly to the boom.
7. When this thumbscrew is removed, the projector plate assembly swings freely. Put the thumbscrew in a safe place. Carefully disengage the projector plate assembly's hinge channel from the connecting flange hook on the projector boom. Lay the projector flat on your work area.



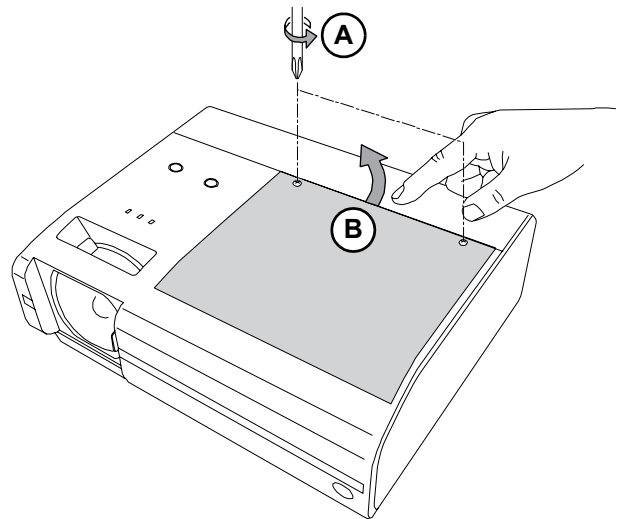
8. Unscrew the three screws connecting the projector plate to the projector. Put the screws in a safe place.
9. Turn the projector over and lay it on your work area so that the warning lights and setting buttons face upwards.



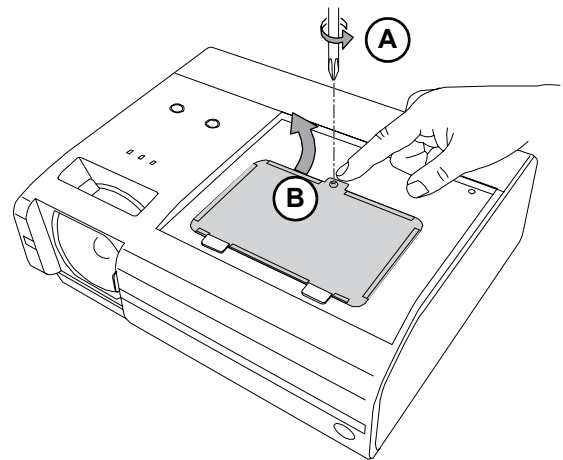
The Projector Plate Assembly Includes the Projector Plate and the Unifi 45 Projector.

To replace the lamp

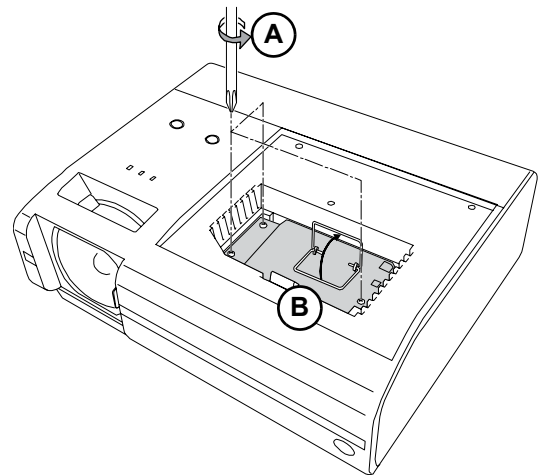
1. Loosen the two screws on the outer lamp cover with a Phillips® No. 2 screwdriver. These screws cannot be removed. Raise the outer lamp cover using a flat screwdriver or your finger. Keep the outer lamp cover in a safe place.
2. Allow sufficient time for the lamp and the inner lamp cover to cool. They should feel comfortably cool to touch and work with easily.



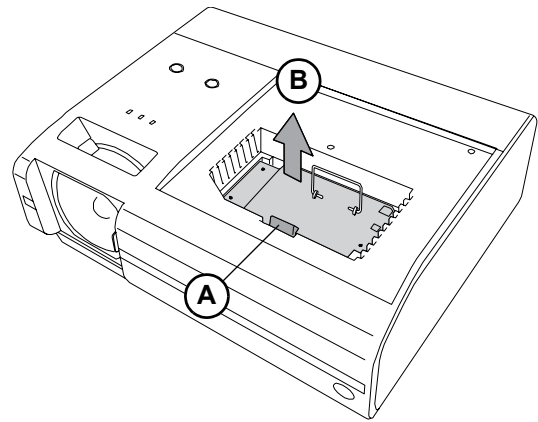
3. Loosen the screw on the inner lamp cover. Remove the screw and raise the inner lamp cover out of the lamp slot using a flat screwdriver or your finger. Keep the inner lamp cover and the screw in a safe place.



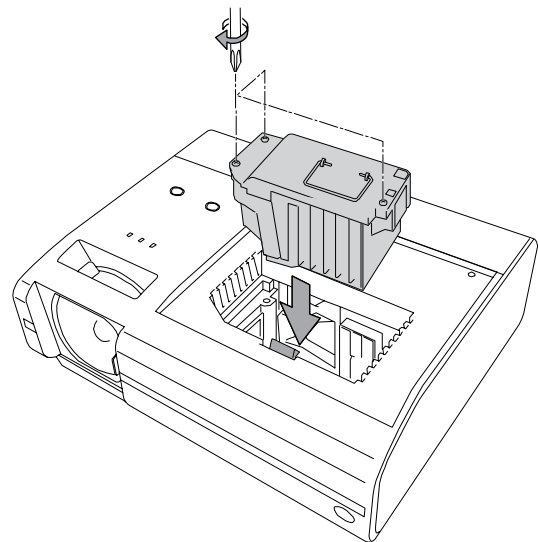
4. Loosen the three lamp locking screws. These screws cannot be removed. Rotate the handle on the old lamp so it faces upwards.



5. Press on the tab and pull up with the handle on the old lamp. Release the tab. Recycle or dispose of the old lamp according to your local waste authority.



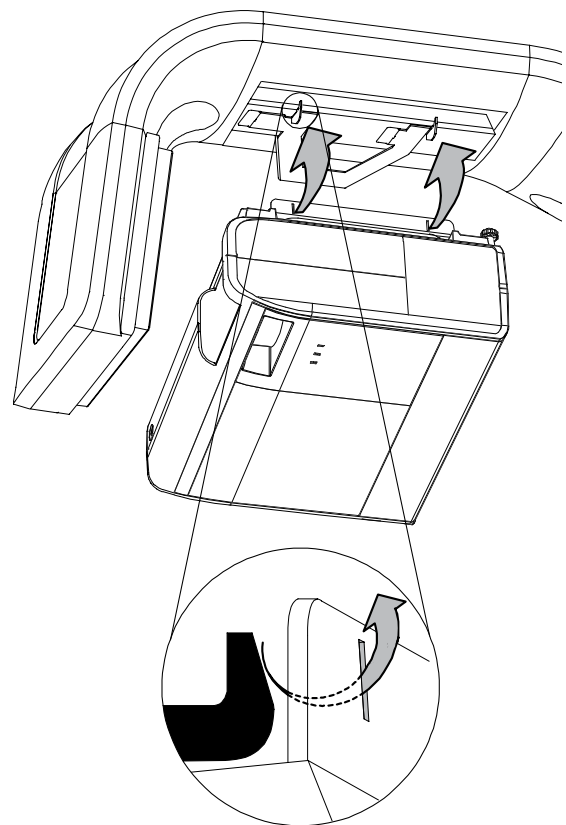
6. Remove the new lamp from all of its packaging. Remove the plastic labeling on the lamp handle. Press the tab, put the new lamp into the lamp slot, and push it all the way down. Release the tab.
7. Tighten the lamp locking screws until the new lamp is secure.
8. Put the inner lamp cover back into its original position. Retrieve the inner lamp cover screw from step 3, and then insert it in its slot. Tighten the screw until the inner lamp cover is secure.
9. Put the outer lamp cover back into its original position. Align the cover and tighten the screws until the outer lamp cover is secure.



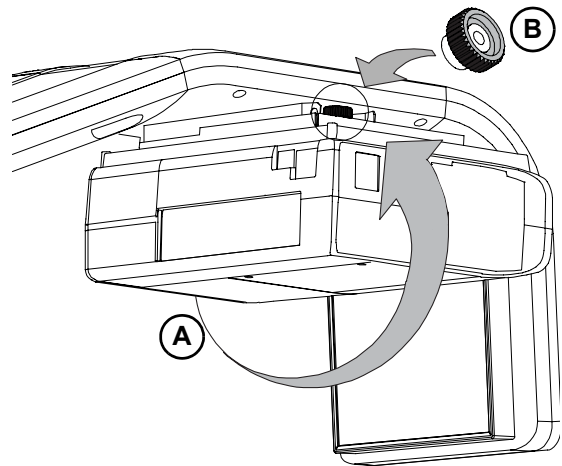
To replace the projector plate assembly on the projector boom

1. Attach the projector plate to the projector using the three screws that you removed during the projector plate disassembly.
2. Put the projector plate assembly back on the projector boom by attaching the projector plate hinge channel to the corresponding flange hook on the projector boom.




NOTE: Hold on to the projector plate assembly firmly when raising the assembly.



- Retrieve the projector plate thumbscrew that you removed during the removal of the projector plate from the projector boom. Raise the projector plate assembly while keeping it attached to the flange hook. Pass the threaded rod through the attachment hole on the projector boom, and then secure the projector by attaching and screwing the thumbscrew.
- Connect the power cord and all the connector cables. Open the projector lens door.
- Turn on the projector's master power switch, and then press the power button on the ECP or remote to start up the system. The power button light on the ECP turns green when it starts.
- You might need to realign the image after you replace the projector plate assembly. Turn the thumbscrew to adjust the level position while firmly holding the projector.
- Refer to the Unifi 45 Projector Image Adjustment instructions, [document 126964](#) on the [SMART technical support site](#), if necessary.



To reset the lamp timer

- Press the power button  on the ECP or remote twice to put the projector back into Standby mode. The power button light on the ECP turns solid amber when the projector is in Standby.
- Press and hold the **up**  button on the remote control for approximately 10 seconds. When the projector beeps, press and hold the **down**  button on the remote control for approximately 10 seconds. The lamp timer clears after another beep.
- Press the power button on the ECP or remote to start up the system. The power button light on the ECP turns solid green when the system starts.
- To confirm that the lamp timer has been reset, press the **MENU** button on the remote control. Scroll to the **Status Display** menu heading, and then confirm that **0 h** appears in the **Lamp timer** field. Your lamp reset count has increased by one.
- Wait five minutes for the projector lamp to warm up.
- After confirming that the lamp timer has been reset, put the system in Standby mode by pressing the power button twice on the ECP or remote. The power button light on the ECP turns solid amber when the system is in Standby.
- Wait for the system to enter Standby mode, turn off the projector's master power switch to shut off the system, and then turn on the projector's master power switch.
- When you are ready to use the system, press the power button on the ECP to start up the system.

First Published: September 15, 2008

Last Updated: September 23, 2008

www.smarttech.com/support www.smarttech.com/contactsupport
Support +1.403.228.5940 or Toll Free 1.866.518.6791 (U.S./Canada)

© 2008 SMART Technologies ULC. All rights reserved. The SMART logo and smarttech are trademarks or registered trademarks of SMART Technologies ULC in the U.S. and/or other countries. All other third-party product and company names may be trademarks of their respective owners. Patent NoUS5448263; US6141000; US6326954; US6337681; US6540366; US6741267; US6747636; US7151533; US7289113; US7283126 and CA2058219. Other patents pending. Contents are subject to change without notice. 09/2008.

SMART
Technologies